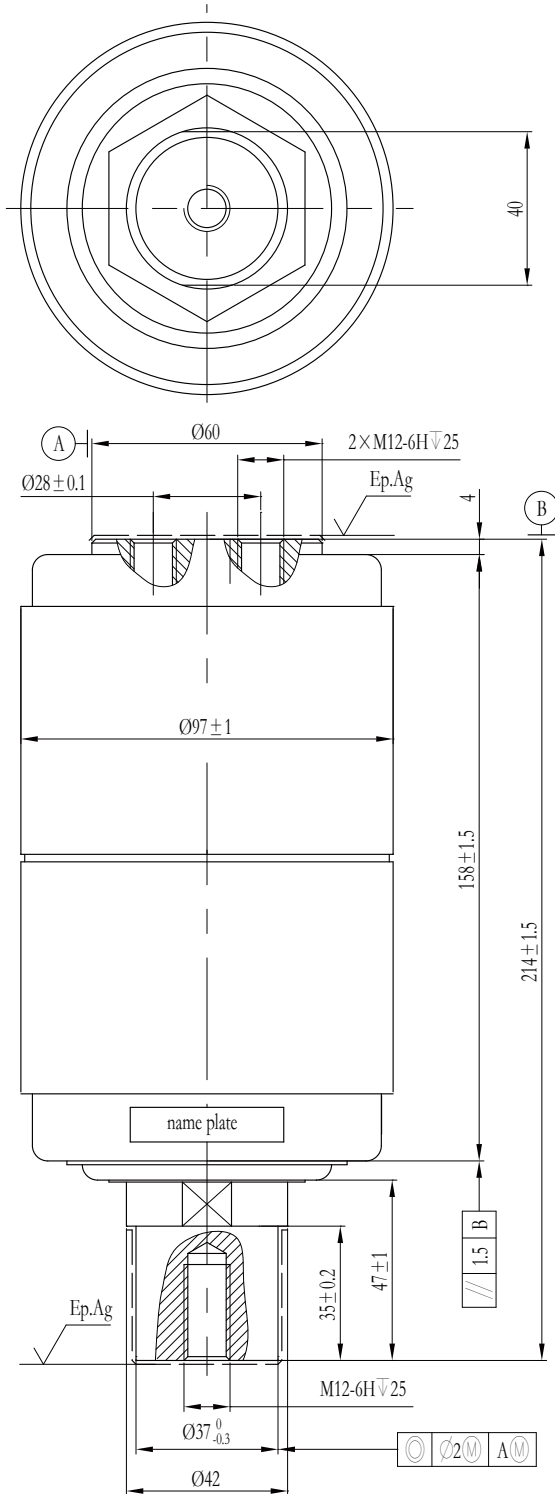




Vacuum Interrupter for Load-Breaking Switch

GTF-25.8/2000-25



Main Technical Data		
Item	Unit	Value
Rated Voltage	kV	25.8
Lightning Impulse Withstand Voltage (Peak)	kV	165☆
Short-time (1min) Power-frequency Withstand Voltage	kV	42/77☆
Rated Frequency	Hz	60
Rated Current	A	2000
Rated Short-time Withstand Current	kA	25
Rated Duration of Short-circuit	s	1
Rated Peak Withstand Current	kA	63
Rated Short-circuit Making Current	kA	63
Rated Active Load Breaking Current	A	2000
Rated Closed-loop Breaking Current	A	2000
Rated Single Capacitor Bank Breaking Current	A	400※
Rated Back-to-Back Capacitor Bank Breaking Current	A	400※
Rated Breaking Current of Cable Charging	A	16
Mechanical Endurance	Operations	5000
Clearance Between Open Contacts	mm	16±1
Contact Closed Force Due to Bellows and Atmosphere	N	235±40
Counterforce of Contact at Full Stroke	N	300±40
Circuit Resistance at Min. Rated Contact Force	μΩ	≤30
Contact Limit Erosion	mm	3
Mass of Moving Parts	kg	1.85
Internal Gas Pressure	Pa	<1.33×10 ⁻³
Shelf Life	Years	20

Mechanical Data of Switch Equipped With Interrupter		
Item	Unit	Value
Average Opening Speed	m/s	1.0±0.2
Average Closing Speed	m/s	0.6±0.2
Contact Bounce Duration at Closing Operation	ms	≤3
Out of Simultaneity of Contact Closing and Opening	ms	≤1
Rated Contact Pressure	N	1100 _{±150}
Max. Rebound of Contact at Opening Operation	mm	2
Overtravel During Opening	mm	≤2

Note 1: “☆” Within transformer oil or equivalent isolation medium;

Note 2: “※” Rated characteristics to be given on request;

Note 3: Meets or exceeds the electrical endurance requirements of class E1 for autoreclosing duty per IEC 60265-1;

Note 4: The movable stem of the vacuum interrupter could not suffer on more than 30N · m twisting force and in order not to damage the metal bellows, the movable stem should be prevented from rotation when assembling. For more requirements please check the Instructions of Usage.